

DATA SHEET SWING PATIS 2 ROBINIA

Text for invitation to tender | Item No: 51 2014 601



MATERIALS | SCOPE OF SUPPLY

Swing, mounted on-location, fixation of the chains and swing bar necessary

Post:	robinia, with pedestal made of stainless steel, 3 pieces
Swing bar:	stainless steel, V2A, 2 pieces
Swing seat:	EPDM caoutchouc with steel inlay, 2 pieces
Chains:	stainless steel 1,80 m, 4 pieces

TECHNICAL INFORMATION

Dimensions:

Main dimension:	4400 x 200 mm
Height:	2680 mm
Weight:	251 kg
Capacity:	acc. to normative requirements
Dimension largest piece:	300 x 300 x 3125 mm
Heaviest piece:	66 kg

Max. fall height: 1400 mm

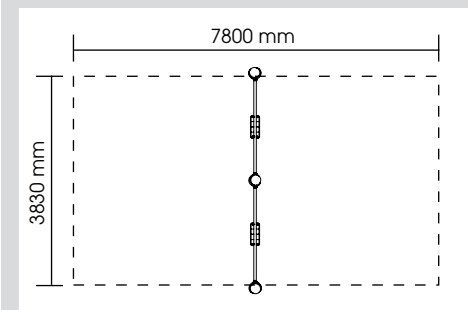
Impact protection

Impact area: 29,87 m²

Required safety slabs: 28,00 m²

Required lawn grating: 28,00 m²

Recommended surface material: sand, wood chip, gravel, synth. impact protection



INSTALLATION

Foundations: 3

Modified installation depth possible (special edition)

Installation according to our detailed mounting instructions, see www.stilum.com

Please note the material information in the mounting- and maintenance instruction.

